

# How to open your wall-mount sectional garage door manually.

## Commander Ultimate



To prevent possible **SERIOUS INJURY** or **DEATH** from a falling garage door:

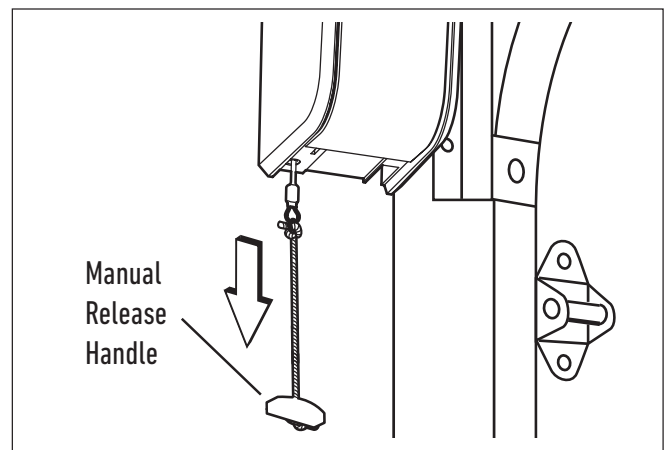
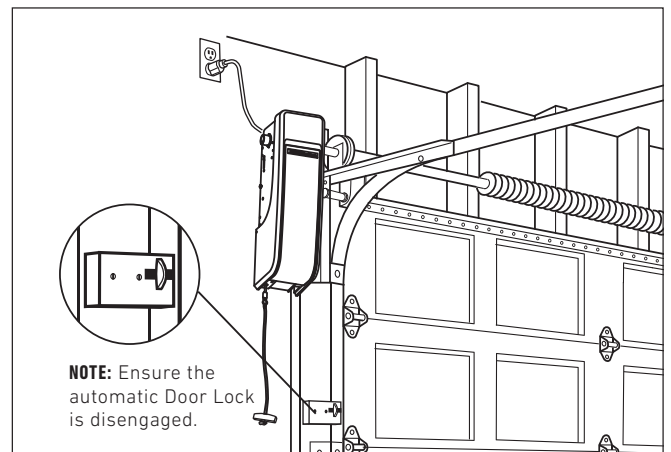
- Disengage ALL door locks before operating the manual release.
- If possible, use the manual release to disengage the door **ONLY** when the garage door is **CLOSED**.  
Weak or broken springs or unbalanced door could result in an open door falling rapidly and/or unexpectedly.
- **NEVER** use the manual release unless garage doorway is clear of persons and obstructions.

The manual release mechanism enables the door to be manually operated during power outages or in an emergency.

The RED manual release cord is preassembled to the opener. When the opener is installed the handle should be no higher than 1.8 metres from the floor. The cord may need to be extended.

### TO OPERATE THE MANUAL RELEASE:

1. Make sure the door is closed.
2. Disengage the automatic door lock.
3. **Disengage:** Pull the manual release cord. The door should then be able to be opened manually.
4. Return the door to the closed position
5. **Re-engage:** Pull the manual release cord a second time to reconnect the door to the door opener.



#### Older compatible models:

CG3800, MJ3800 & MJ3800R

#### Contact:

**Australia:** [gomerlin.com.au](http://gomerlin.com.au) • 1800 638 234  
**New Zealand:** [gomerlin.co.nz](http://gomerlin.co.nz) • 0800 653 667